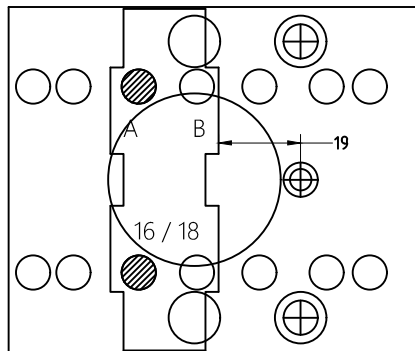
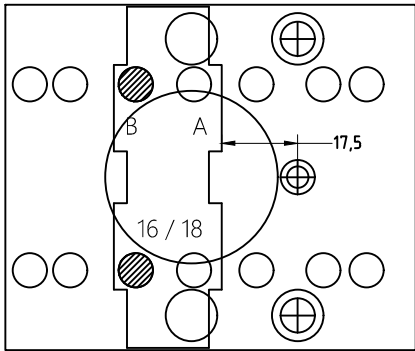
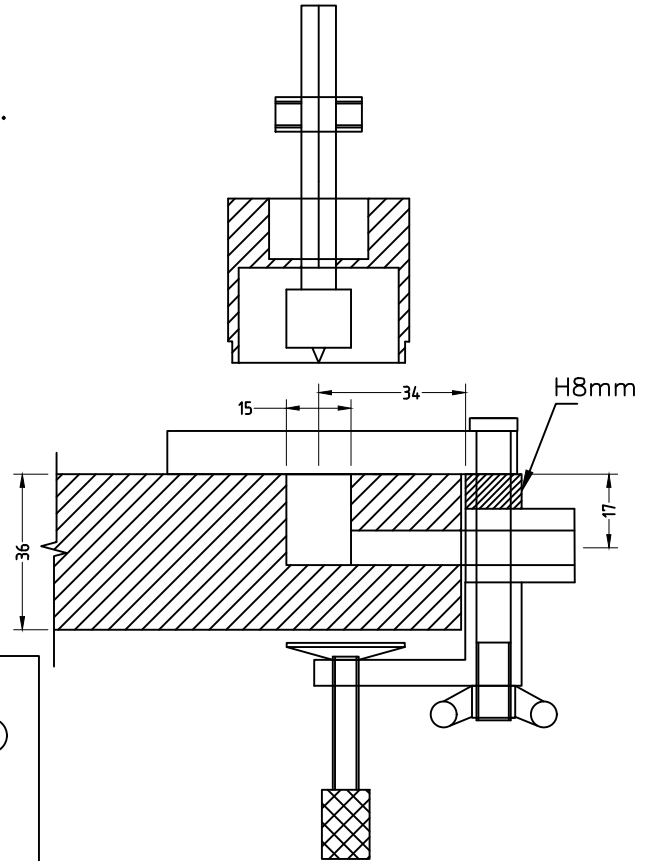
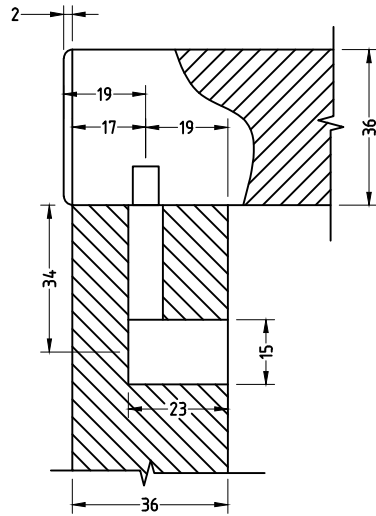
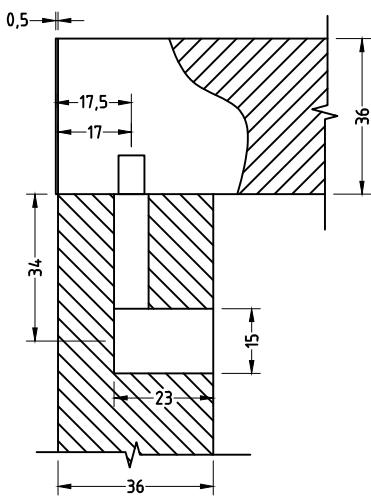


Assembly 1-2

minifix34. chipboard 36+36mm.



minifix34. chipboard 36+18mm.

