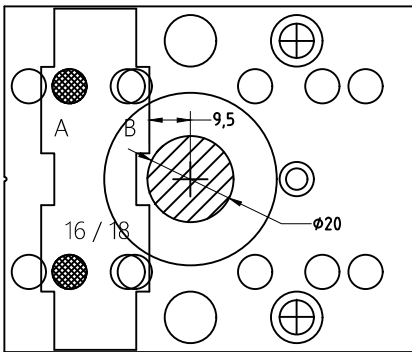
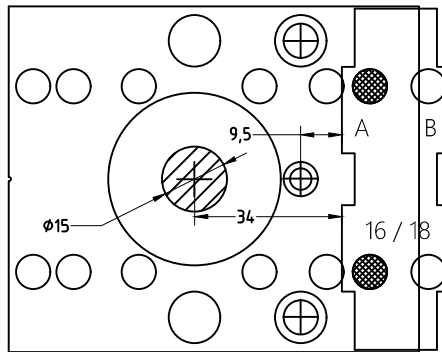


Assembly 1-1

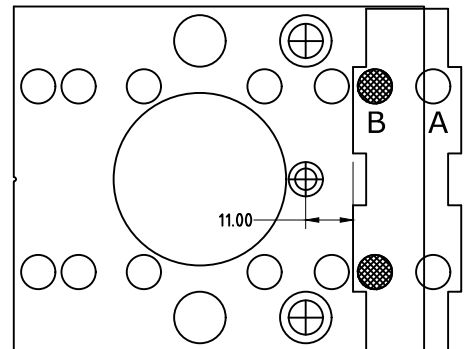
1. rafix20 connector housing



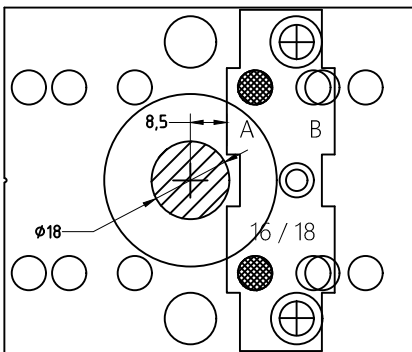
2. minifix34. dowel, connecting bolt, eccentric cam15



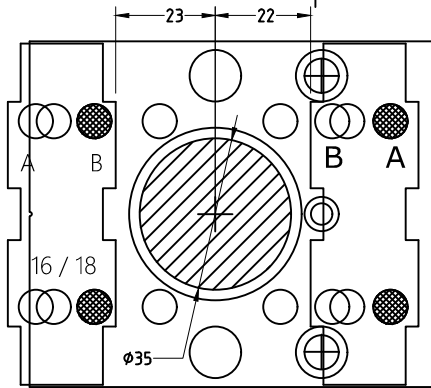
3. drilling distance 11mm. connecting bolt minifix, dowel.



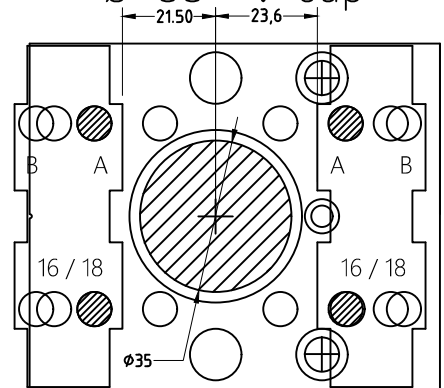
4. tab18 connector housing



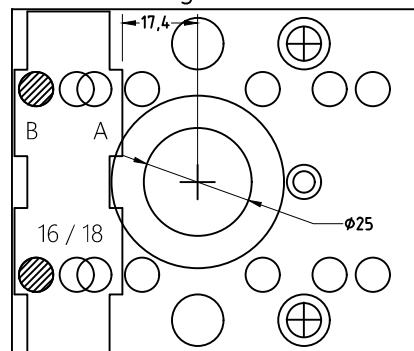
5. concealid hinges. drilling Ø 35mm. cup



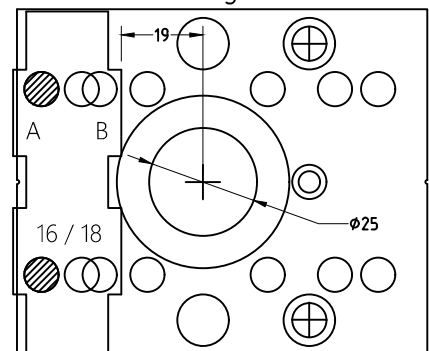
6. concealid hinges. drilling Ø 35mm. cup



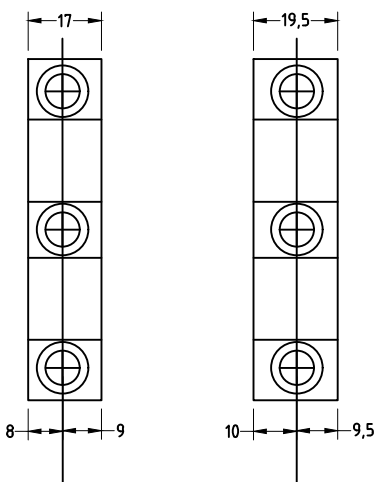
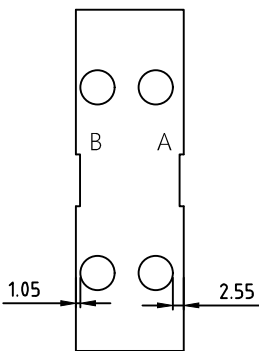
tofix 25 connector housing, connecting bolt



tofix 25 connector housing, connecting bolt



Horizontal guide



10. minifix34. dowel, connecting bolt ø8, eccentric cam15

